

L40 Series Radio Remote Control

The L40 Series is a "belly box" style transmitter unit with 5-speeds, dual joystick. Up to eight motions using A/B switches. FCC 310-320 Mhz AC models only.

L40 Transmitter



P.N. 701L40101

Transmitter specifications

- Very light weight; 1.9 lb (0.86 kg) with batteries
- Runs on 4 standard alkaline batteries
- Very low power consumption ensures long battery life
- Includes low power indicator
- Modulation: FM
- Internal Antenna
- Jammed joystick detection
- Shock resistant
- 2 Toggle Switches (A-Both-B or A-Off-B)
- Optional momentary toggle switches to replace maintained toggle switches that come with each transmitter
- 2 Dual Axis Joysticks (can be Gated)

L40 Receiver



Receiver specifications

- Multiple supply voltages: AC Type: 48/110, 110/220, plus or minus 10%, 50/60 Hz. (Default 48/110, 110 selected)
- Independent common configuration for mixed control voltage applications
- Power-on/mainline contact
- LED display of power and contact closure status
- Sensitivity: Approximately -105 dBm
- Two pre-wired cables, each 6 feet long (1.83 m) cable
- Control relay rating: 10A @125 VAC; 5A @ 250 VAC; 8A @ 30 VAC
- 4-point shock mount designed for demanding mobile and industrial applications
- 40 dynamically assigned relays
- NEMA 4 (IP65)

L40 Radio Kit

The L40 Series Kit includes eight (8) batteries, spare key, spare fuse kit, instruction manual, and a legend sheet for each transmitter. AC only.

Operation Description	No. of Transmitters	Part No.
Dual joystick, 5 speed controls with E-stop, key switch, 2 toggles, and two push buttons. Up to 8 motions through the use of A-B-Both switches. 2 programmable auxiliary outputs, mainline output.	2	700DL40

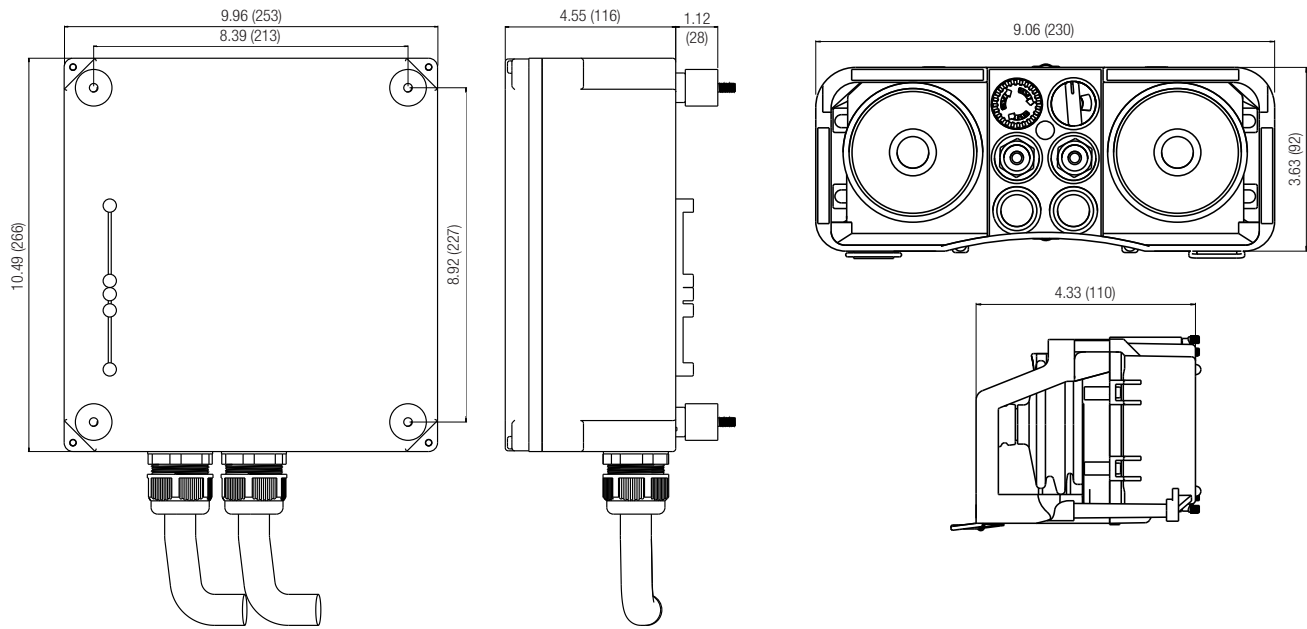
Please Note: All transmitters will require the Serial Number for proper matching to receiver for programming.

L Series radios will also need Channel Number 1-38 specified at time of order.

Visit www.conductix.us for the most current information.

L40 Series Dimensions and Wiring Diagram

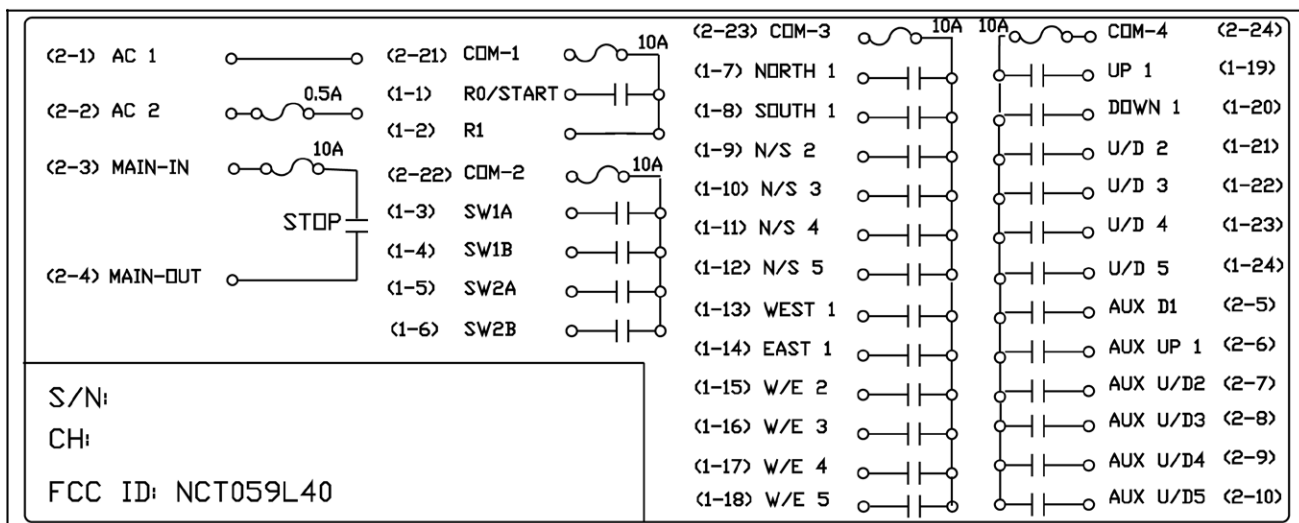
Dimensions



Weight: 6.6 lbs
(less cable)

24 conductors, 16 AWG with fork terminals
20" of loose conductors exposed PVC jacket

Wiring Diagram



Please Note: Default wiring diagram shown. Custom programming will alter relay outputs.