

K Series Radio Remote Controls

K-Series Radio Remote controls are a state-of-the-art radio control system. Check the many great features below and on Pgs. 17 through 22.



Specifications

- Operating Range: 330 feet (100m) - Up to ~1000 feet (300m) - depending on environment
- Frequency: 433.05 to 434.775 MHz, depending on operating channel
- Available Channels: 70
- Enclosure: Nylon with glass fiber, NEMA4 (IP65)
- Emission Power: Less than 10 mW, eight level adjustments
- Channel Spacing: 25 kHz
- FCC Part 15; no license required
- Emission Designator: 114KF1D



Safety Features

- Emergency Mushroom Switch (EMS or "E-Stop") is Independently Certified EN-ISO 13849-1 Category 4.
- Dual Independent Micro-controllers
- Dual Mainline Relays Connected in Series (Each Independently Controlled)
- Current sensing jammed relay detection circuit.
- Double contact on EMS in Transmitter

Advanced Features

Remote Pairing: The transmitter can contact a receiver and "download" the system data via radio, allowing you to replace a lost or damaged radio without any additional tools.

Pitch and Catch Operation: Can be enabled allowing a single receiver to be safely operated by two different operators.

Auto-scanning: The Radio is factory programmed to choose between two channels depending upon which one is the clearest on every start, alternately the radio can scan all channels on site and find the clearest pair of channels to use.

Adjustable emissions power: Allows some range control of the radio and will reduce the possibility of unnecessary interference by adjacent radios.

Flexible Configuration: The radio can be factory configured to handle a variety of functions, such as:

- On/Off, Maintained or Momentary Buttons with or without interlocking
- Anti-Plugging and Multiple Speed Time Delays
- Magnet Operation Mode (one button to engage, two button to release)
- Additive and Make-before-Break (2-speed control)
- Independent Receiver and Transmitter Time outs (Power Off)

See Appendices I and II, Pgs. 26 to 28 for more information.

K1 and K2 Series Radio Remote Controls

K1 and K2 Transmitter



K1 P.N. 52528

K2 P.N. 52529

Transmitter Features

- Antenna: Integrated/Internal
- 3 stage low power indicator
- Removable Key [For push button start, consult factory.]
- Power consumption: Less than 28mA
- Powered by four standard or rechargeable AA batteries

K1 and K2 Receiver



Receiver Features

- Integrated Horn/Alarm built into receiver
- Visible external power indicator
- Receiver has 2 meter (6 ft) pre-wired cable.
- Receiver features F-Style Antenna connector for easy antenna extension.
- Supply Voltages: DC: 12-24; AC: 24, 48, 110, and 220. 110V is the default. Please contact the Factory for part numbers for different supply voltages.

K1 Series Radio Kit - 110V*

The K1 Series Kit includes eight (8) batteries, spare key, spare fuse kit, instruction manual, and a legend sheet for each transmitter. AC only.

Operation Description	No. of Transmitters	Part No.
Single speed, eight button transmitter with E-stop, key switch, and On/Off. Up to 4 motion single speed control with 0 to 2 programmable auxiliary outputs, alarm output, mainline output.	2	700DK1

K2 Series Radio Kit - 110V*

The K2 Series Kit includes eight (8) batteries, spare key, spare fuse kit, instruction manual, and a legend sheet for each transmitter. AC only.

Operation Description	No. of Transmitters	Part No.
Dual speed, eight button transmitter with E-stop, key switch, and On/Off. Up to 4 motion two speed control with 0 to 2 programmable auxiliary outputs, alarm output, mainline output.	2	700DK2

* Default Supply Voltage is 110V AC. Please contact factory for part numbers for different supply voltages: -DC, -48V, -220V

Please Note: All transmitters will require the Serial Number for proper matching to receiver for programming.

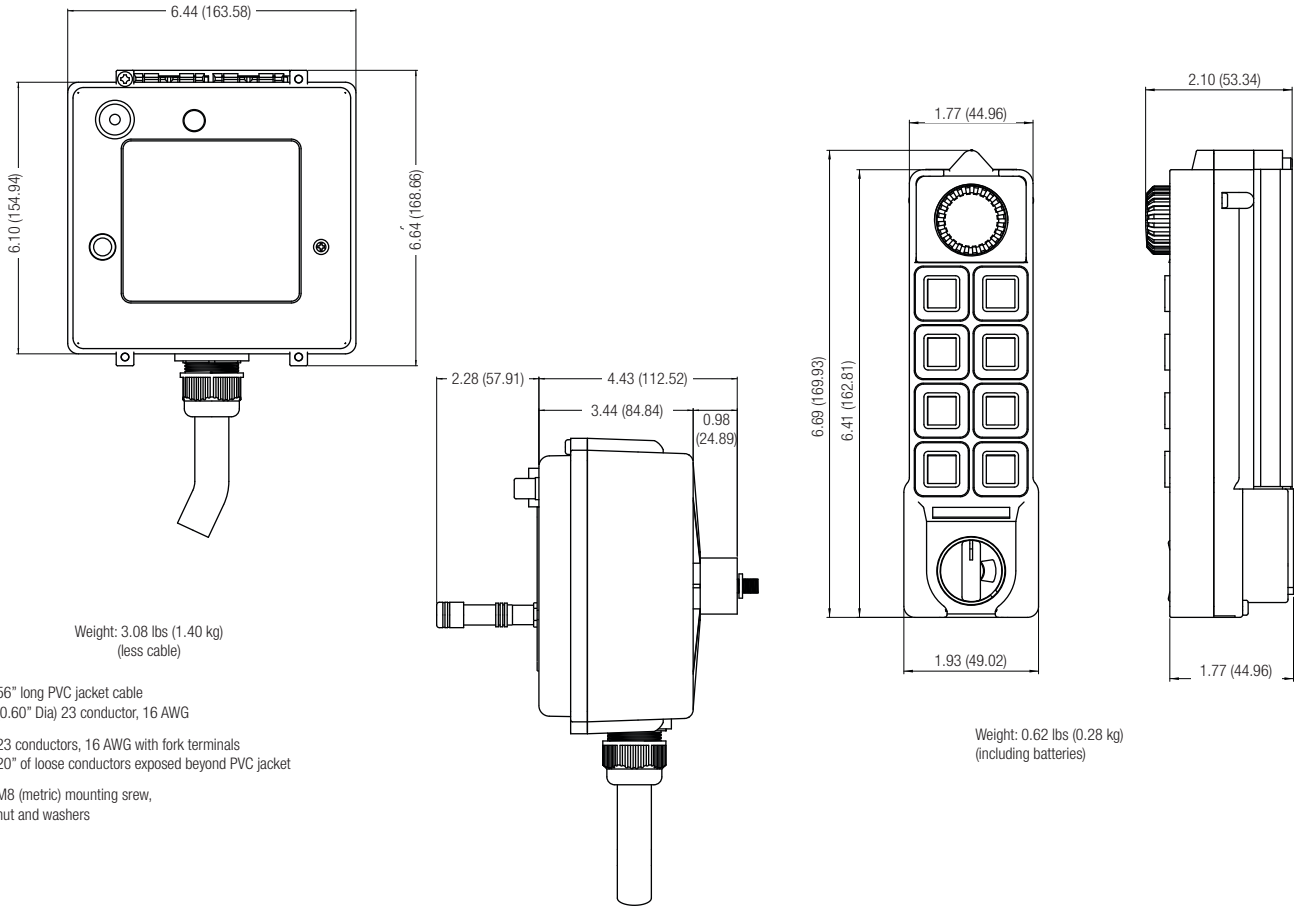
*Default setting on Start/Alarm button is for the built-in alarm. Changing this setting or if Aux 1 is needed will disable the alarm output.

K Series radios will require Serial Number to be matched for easy out-of-the-box operation.

Visit www.conductix.us for the most current information.

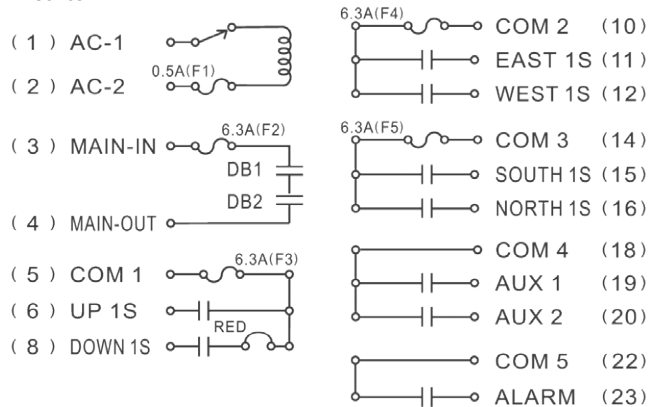
K1 and K2 Series Dimensions and Wiring Diagram

Dimensions

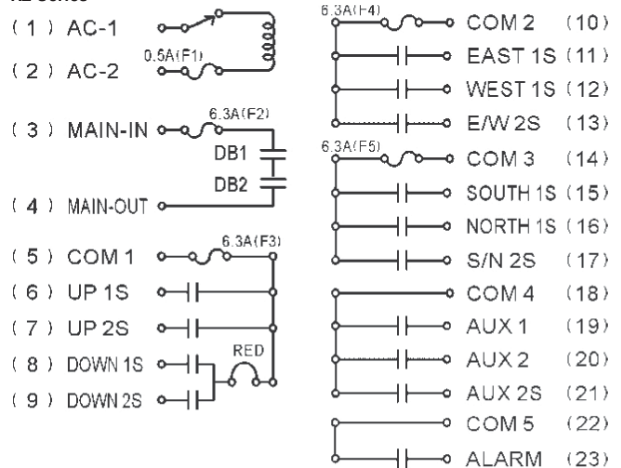


Wiring Diagrams

K1 Series



K2 Series



Please Note: Shown are the "default" wiring diagrams. If custom programming has been done, this might alter the relay outputs. See Manual for DC wiring diagrams.

K1 and K2 Series Specification Data Sheet

Request Date _____

Company _____

Company Type _____

Sales Person _____

Name _____

Title _____

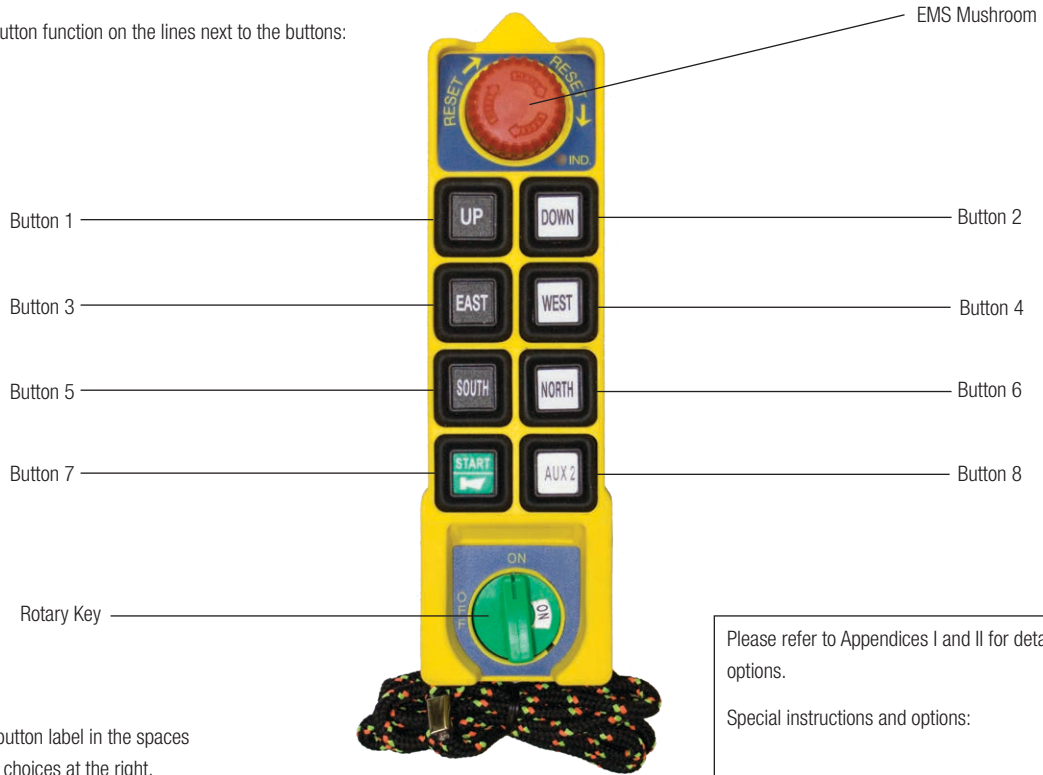
Phone _____

Fax _____

E-mail _____

Model Needed K1 (Single Speed) K2 (Dual Speed)

Write the desired button function on the lines next to the buttons:



Write the desired button label in the spaces below. See legend choices at the right.

Button 1	↓	1	3	5	7	9	8	6	4	2
Button 2	↓	1	3	5	7	10	8	6	4	2
Button 3	↖	↗	⇌	→	⇅	⇌	←	⇅	↑	↖
Button 4	↖	↗	⇌	→	⇅	⇌	←	⇅	↑	↖
Button 5	↑	↖	UP	EAST	SOUTH	⇌	↘	DOWN	WEST	NORTH
Button 6	↑	↖	UP	EAST	SOUTH	⇌	↘	DOWN	WEST	NORTH
Button 7	▶	◀	▶	ALARM	START	RESET	STOP	▶	💡	▼
Button 8	▶	◀	▶	ALARM	START	RESET	STOP	▶	💡	▼

Part No. 52517 (Legend sheet for HT, L8, L10, K1 and K2)

Please refer to Appendices I and II for details of radio options.

Special instructions and options: